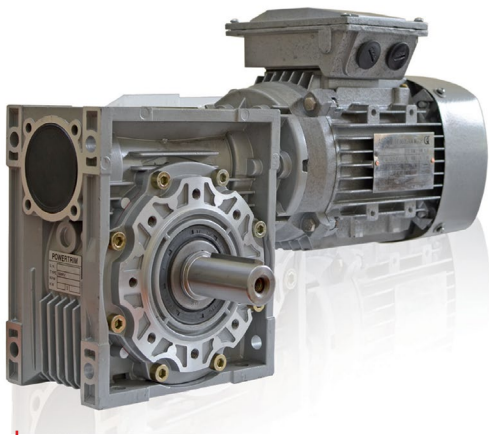


ACTOM ELECTRICAL MOTORS

NMRV: Geared Motor



Specifications:

Please Download the ACTOM Brochure Attached for all of the Product Specifications

General Data:

Product Information:

Motors 90 Degree worm drive geared motors up to 15kw
Off set PC intermediary
1/3 reduction boxes
Inline bevel helical and co-Axial Geared motors up to 7,5kW

Motor Speed Variable speed in line reducer 0,7 to 0,14th of motor speed

Typical

Application:

Application Please see attached
Designed for brochure

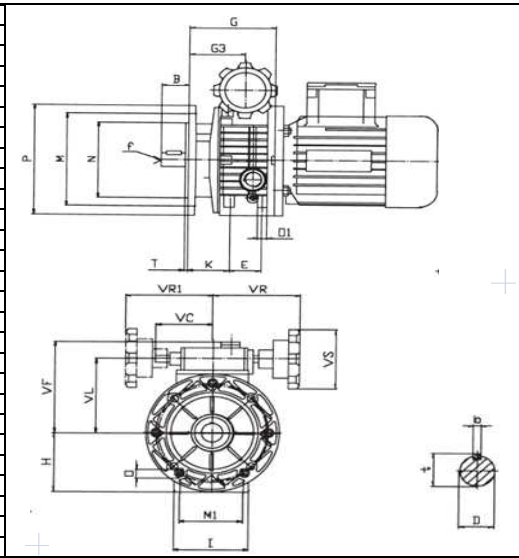
ACTOM - UD SERIES STEPLESS SPEED VARIATORS

MOTOR KW	0.18kw	0.37kw	0.55kw	0.75kw	1.1kw	1.5kw	2.2kw	3.0kw	4.0kw
MODEL	UDL 0.18	UDL 0.37	UDL 0.55	UDL 0.75	UDL 1.1	UDL 1.5	UDL 2.2	UDL 3.0	UDL 4.0
MOTOR RPM	1400 rpm	1400 rpm	1400 rpm	1400 rpm	1400 rpm	1400 rpm	1400 rpm	1400 rpm	1400 rpm
RATIO	1.6 - 8.2	1.4 - 7	1.4 - 7	1.4 - 7	1.4 - 7	1.4 - 7	1.4 - 7	1.4 - 7	1.4 - 7
FINAL RPM	880-170	1000-200	1000-200	1000-200	1000-200	1000-200	1000-200	1000-200	1000-200
Tq M2 N.M	1.5 - 3 NM	3 - 6 NM	4 - 8 NM	6 - 12 NM	9 - 18 NM	12 - 24 NM	18 -36 NM	24 - 48 NM	32 - 64 NM



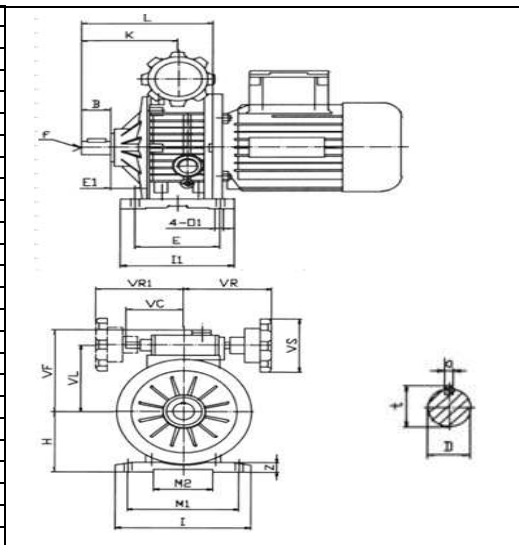
PRODUCT DIMENSIONS - B5 MOUNT VARIATOR DIMENSION DATA

B5	UDL 0.18	UDL 0.37	UDL 0.75	UD 1.1	UD 1.5	UD 2.2	UD 3.0	UD 4.0
B	23	30	40	50	50	60	60	60
D (j6)	11	14	19	24	24	28	28	28
E	50	40	58	-	-	-	-	-
G	112.5	110	139	188	188	208	208	208
G3	64.5	74	85.5	115	115	131	131	131
H	70	80	100	126	126	150	150	150
I	72	90	98	241	241	270	270	270
M	115	130	165	165	165	215	215	215
M1	50	77	84	-	-	-	-	-
N	95	110	130	130	130	180	180	180
D	9	9	11	11	11	15	15	15
D1	M6	M8	M8	-	-	-	-	-
P	140	160	200	200	200	250	250	250
T	3.5	3.5	3.5	3.5	3.5	4	4	4
K	46	53	60	-	-	-	-	-
VC	71	71	79	-	-	-	-	-
VF	111	123	140	144	144	188	188	188
VL	78	90	107	122	122	150	150	150
VR	110	110	120	150	150	160	160	160
VR1	110	110	120	-	-	-	-	-
VS	85	85	110	110	110	110	110	110
b	4	5	6	8	8	8	8	8
f	-	M6	M6	M8	M8	M8	M8	M8
t	12.5	16	21.5	27	27	33	33	33
X	200	227	268	290	290	320	320	340
Y	120	141	160	195	195	215	215	240



PRODUCT DIMENSIONS - B3 MOUNT VARIATOR DIMENSION DATA

B3	UDL 0.18	UDL 0.37	UDL 0.75	UD 1.1	UD 1.5	UD 2.2	UD 3.0	UD 4.0
B	23	30	40	50	50	60	60	60
D (j6)	11	14	19	24	24	28	28	28
E	105	104	125	115	115	230	230	230
E1	17.5	20	26	53.5	53.5	25	25	25
H	80	93	113	123	123	150	150	150
I	145	149	190	241	241	300	300	300
I1	120	125	150	150	150	270	270	270
K	87.5	104	125.5	165	165	191	191	191
L	135.5	140	179	238	238	268	268	268
M1	110	120	160	190	190	245	245	245
M2	71	96	135	143	143	190	190	190
O1	9	9	11	13	13	14	14	14
VC	71	71	79	-	-	-	-	-
VF	111	123	140	144	144	188	188	188
VL	78	90	107	122	122	150	150	150
VR	110	110	120	150	150	160	160	160
VR1	110	110	120	-	-	-	-	-
VS	85	85	110	110	110	110	110	110
b	4	5	6	8	8	8	8	8
f	-	M6	M6	M8	M8	M8	M8	M8
t	12.5	16	21.5	27	27	33	33	33
X	200	227	268	290	290	320	320	340
Y	120	141	160	195	195	215	215	240
Z	10	10	15	18	18	25	25	25



ACTOM NMRV Range of Worm Drive Geared motors

SELECTION DATA



MOTOR	GEAR BOX	RATIO	FINAL RPM	O/PUT SHAFT	TORQUE NM
0.18 kW 4 POLE 1400 rpm	NMRV030	7.5	186	14	8
	NMRV040	7.5	186	18	8
	NMRV030	10	140	14	10
	NMRV040	10	140	18	10
	NMRV030	15	94	14	14
	NMRV040	15	94	18	15
	NMRV030	20	70	14	18
	NMRV040	20	70	18	19
	NMRV030	25	56	14	20
	NMRV040	25	56	18	23
	NMRV040	30	47	18	26
	NMRV040	40	35	18	32
	NMRV050	40	35	25	32
	NMRV040	50	28	18	38
	NMRV050	50	28	25	38
	NMRV050	60	24	25	34
	NMRV050	80	18	25	53
	NMRV050	100	14	18	55
MOTOR	GEAR BOX	RATIO	FINAL RPM	O/PUT SHAFT	TORQUE NM
0.25 kW 4 POLE 1400 rpm	NMRV040	7.5	186	18	11
	NMRV050	7.5	186	25	11
	NMRV040	10	140	18	14
	NMRV050	10	140	25	14
	NMRV040	15	94	18	20
	NMRV050	15	94	25	21
	NMRV040	20	70	18	26
	NMRV050	20	70	25	26
	NMRV040	25	56	18	31
	NMRV050	25	56	25	32
	NMRV040	30	47	18	36
	NMRV050	30	47	25	36
	NMRV040	40	35	18	44
	NMRV050	40	35	25	45
	NMRV050	50	28	25	53
	NMRV050	60	24	25	60
	NMRV050	80	18	25	65
	NMRV063	80	18	25	77
NMRV050	100	14	25	55	
NMRV063	100	14	25	85	
MOTOR	GEAR BOX	RATIO	FINAL RPM	O/PUT SHAFT	TORQUE NM
0.37 kW 4 POLE 1400 rpm	NMRV040	7.5	186	18	16
	NMRV050	7.5	186	25	16
	NMRV040	10	140	18	21
	NMRV050	10	140	25	21
	NMRV040	15	94	18	30
	NMRV050	15	94	25	31
	NMRV040	20	70	18	39

MOTOR	GEAR BOX	RATIO	FINAL RPM	O/PUT SHAFT	TORQUE NM	
0.37 kW 4 POLE 1400 rpm	NMRV050	20	70	25	39	
	NMRV050	25	56	25	47	
	NMRV050	30	47	25	54	
	NMRV050	40	35	25	66	
	NMRV063	40	35	25	70	
	NMRV050	50	28	25	73	
	NMRV063	50	28	25	83	
	NMRV063	60	24	25	95	
	NMRV063	80	18	25	114	
	NMRV063	100	14	25	118	
	MOTOR	GEAR BOX	RATIO	FINAL RPM	O/PUT SHAFT	TORQUE NM
	0.55 kW 4 POLE 1400 rpm	NMRV050	7.5	186	25	25
NMRV050		10	140	25	32	
NMRV050		15	94	25	46	
NMRV063		15	94	25	46	
NMRV050		20	70	25	59	
NMRV063		20	70	25	60	
NMRV063		25	56	25	72	
NMRV063		30	47	25	80	
NMRV063		40	35	25	104	
NMRV075		40	35	28	108	
NMRV063		50	28	25	123	
NMRV075		50	28	28	129	
NMRV075		60	24	28	146	
NMRV075		80	18	28	180	
NMRV075		100	14	28	180	
MOTOR		GEAR BOX	RATIO	FINAL RPM	O/PUT SHAFT	TORQUE NM
0.75 kW 4 POLE 1400 rpm		NMRV050	7.5	186	25	34
		NMRV063	7.5	186	25	33
	NMRV050	10	140	25	44	
	NMRV063	10	140	25	44	
	NMRV050	15	94	25	63	
	NMRV063	15	94	25	63	
	NMRV063	20	70	25	82	
	NMRV063	25	56	25	99	
	NMRV063	30	47	25	109	
	NMRV075	30	47	28	116	
	NMRV063	40	35	25	143	
	NMRV075	40	35	28	147	
	NMRV075	50	28	28	176	
	NMRV090	50	28	35	184	
	NMRV075	60	24	28	200	
	NMRV090	60	24	35	212	
	NMRV090	80	18	35	257	
	NMRV090	100	14	35	270	
MOTOR	GEAR BOX	RATIO	FINAL RPM	O/PUT SHAFT	TORQUE NM	
NMRV063	7.5	186	25	49		

ACTOM NMRV Range of Worm Drive Geared motors

SELECTION DATA



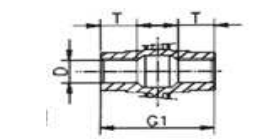
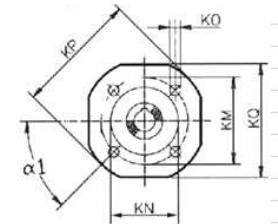
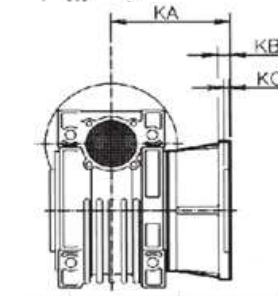
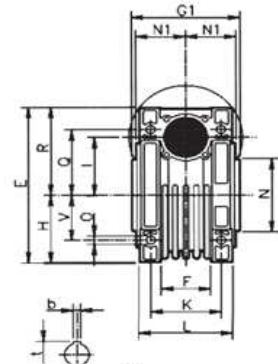
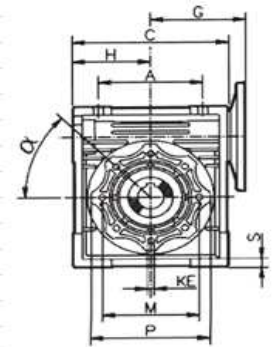
MOTOR	GEAR BOX	RATIO	FINAL RPM	O/PUT SHAFT	TORQUE NM
1.1kw 4 POLE 1400 rpm	NMRV075	7.5	186	28	49
	NMRV063	10	140	25	65
	NMRV075	10	140	28	66
	NMRV063	15	94	25	93
	NMRV075	15	94	28	95
	NMRV063	20	70	25	121
	NMRV075	20	70	28	122
	NMRV075	25	56	28	149
	NMRV075	30	47	28	170
	NMRV075	40	35	28	216
	NMRV090	40	35	35	225
	NMRV090	50	28	35	271
	NMRV090	50	24	35	311
	NMRV110	60	24	42	324
NMRV110	80	18	42	410	
NMRV110	100	14	42	460	
MOTOR	GEAR BOX	RATIO	FINAL RPM	O/PUT SHAFT	TORQUE NM
1.5kw 4 POLE 1400 rpm	NMRV075	7.5	186	28	67
	NMRV075	10	140	28	90
	NMRV063	15	94	25	130
	NMRV075	20	70	28	167
	NMRV075	25	56	28	200
	NMRV090	25	56	35	209
	NMRV075	30	47	28	230
	NMRV090	30	47	35	236
	NMRV090	40	35	35	306
	NMRV090	50	28	35	369
	NMRV110	50	28	42	375
	NMRV110	60	24	42	442
	NMRV110	80	18	42	490
	NMRV130	80	18	45	547
NMRV130	100	14	45	652	
MOTOR	GEAR BOX	RATIO	FINAL RPM	O/PUT SHAFT	TORQUE NM
2.2kw 4 POLE 1400 rpm	NMRV090	7.5	186	35	101
	NMRV110	7.5	186	42	101
	NMRV090	10	140	35	133
	NMRV110	10	140	42	133
	NMRV090	15	94	35	193
	NMRV110	15	94	42	192
	NMRV090	20	70	35	251
	NMRV110	20	70	42	256
	NMRV090	25	56	35	307
	NMRV110	25	56	42	316
	NMRV090	30	47	35	346
	NMRV110	30	47	42	355
	NMRV110	40	35	42	462
	NMRV110	50	28	42	550
MOTOR	GEAR BOX	RATIO	FINAL RPM	O/PUT SHAFT	TORQUE NM
2.2kw 4 POLE 1400 rpm	NMRV130	50	28	45	567
	NMRV130	60	24	45	660
	NMRV130	80	18	45	803
MOTOR	GEAR BOX	RATIO	FINAL RPM	O/PUT SHAFT	TORQUE NM
3.0kw 4 POLE 1400 rpm	NMRV110	7.5	186	42	101
	NMRV110	10	140	42	101
	NMRV110	15	94	42	133
	NMRV110	20	70	42	133
	NMRV110	25	56	42	193
	NMRV110	30	47	42	192
	NMRV110	40	35	42	251
	NMRV130	40	35	45	256
	NMRV130	50	28	45	307
	NMRV130	60	24	45	316
MOTOR	GEAR BOX	RATIO	FINAL RPM	O/PUT SHAFT	TORQUE NM
4.0kw 4 POLE 1400 rpm	NMRV110	7.5	186	42	184
	NMRV130	7.5	186	45	186
	NMRV110	10	140	42	243
	NMRV130	10	140	45	242
	NMRV110	15	94	42	352
	NMRV130	15	94	45	357
	NMRV110	20	70	42	464
	NMRV130	20	70	45	466
	NMRV110	25	56	42	573
	NMRV130	25	56	45	572
	NMRV110	30	47	42	646
	NMRV130	30	47	45	655
	NMRV130	40	35	45	857
	NMRV130	50	28	45	980
MOTOR	GEAR BOX	RATIO	FINAL RPM	O/PUT SHAFT	TORQUE NM
5.5kw 4 POLE 1400 rpm	NMRV110	7.5	186	42	184
	NMRV130	7.5	186	45	186
	NMRV110	10	140	42	243
	NMRV130	10	140	45	242
	NMRV110	15	94	42	352
	NMRV130	15	94	45	357
	NMRV130	20	70	45	464
	NMRV130	25	56	45	466
NMRV130	30	47	45	573	
MOTOR	GEAR BOX	RATIO	FINAL RPM	O/PUT SHAFT	TORQUE NM
7.5kw 4 POLE 1400 rpm	NMRV110	7.5	186	42	345
	NMRV130	7.5	186	45	349
	NMRV110	10	140	42	455
	NMRV130	10	140	45	455
	NMRV130	15	94	45	667
	NMRV130	20	70	45	880
	NMRV130	25	56	45	1074

ACTOM NMRV Range of Worm Drive Geared motors



PRODUCT DIMENSIONS

WORM DRIVE PRODUCT OUTLINE DIMENSIONS								
	NMRV030	NMRV040	NMRV050	NMRV063	NMRV075	NMRV090	NMRV110	NMRV130
A	54	70	80	100	120	140	170	200
C	80	100	120	144	172	208	252.5	292.5
D (H7)	14	18	25	25	28	35	42	45
E	97	121.5	144	174	205	238	295	335
F	32	43	49	67	72	74	-	-
G	55	70	80	95	112.5	129.5	160	180
G1	63	78	92	112	120	140	155	170
H	40	50	60	72	86	103	127.5	147.5
I	30	40	50	63	75	90	110	130
L	56	71	85	103	112	130	144	155
M	65	75	85	95	115	130	165	215
N (h6)	55	60	70	80	95	110	130	180
N1	29	36.5	43.5	53	57	67	74	81
O	6.5	6.5	8.5	8.5	11	13	14	16
P	75	87	100	110	140	160	200	250
Q	44	55	64	80	93	102	125	140
R	57	71.5	84	102	119	135	167.5	187.5
S	5.5	6.5	7	8	10	11	14	15
T	21	26	30	36	40	45	50	60
V	27	35	40	50	60	70	85	100
K	44	60	70	85	90	100	115	120
F	54.5	67	90	82	111	111	131	140
FB		76.5	87.5	99				
FL		97	120	112				
F	6	7	9	10	13	13	15	15
FB		9	10	11				
FL		7	9	10				
F	4	4	5	5	6	6	6	6
FB		5	5	5				
FL		4	5	6				
KE	M6x11(n,4)	M6x8(n,4)	M8x10(n,4)	M8x14(n,4)	M8x14(n,4)	M10x18(n,4)	M10x18(n,4)	M12x21(n,4)
a	0	45	45	45	45	45	45	45
a1	45	45	45	45	45	45	45	23
F	68	87	90	150	165	175	230	255
FB		115	130	165				
FL		87	90	150				
F	50	60	70	115	130	152	170	180
FB		95	110	130				
FL		60	70	115				
F	6.5(n,4)	9(n,4)	11(n,4)	11(n,4)	14(n,4)	14(n,4)	14(n,4)	16(n,4)
FB		9.5(n,4)	9.5(n,4)	11(n,4)				
FL		9(n,4)	11(n,4)	11(n,4)				
F	80	110	125	180	200	210	280	320
FB		140	160	200				
FL		110	125	180				
F	70	95	110	142	170	200	260	290
FB								
FL		95	110	142				
b	5	6(6)	8(8)	8(8)	8(10)	10(10)	12	14
f			M6	M6	M8	M8	M10	M10
t	16.3	20.8(21.8)	28.3(27.3)	28.3(31.3)	31.3(39.3)	38.3(41.3)	45.3	48.8
t1	10.2	12.5	16	21.5	27	27	31	33



ACTOM NMRV Range of Worm Drive Geared motors

ADDITIONAL PRODUCTS FOR WORM DRIVE MOTOR SERIES



SINGLE & DOUBLE OUTPUT SHAFT EXTENSIONS									
	d h6	B	B1	G1	L	L1	f	b1	t1
NMRV030	14	30	32.5	63	102	128	M6	5	16
NMRV040	18	40	43	78	128	164	M6	6	20.5
NMRV050	25	50	53.5	92	153	199	M10	8	28
NMRV063	25	50	53.5	112	173	219	M10	8	28
NMRV075	28	60	63.5	120	192	247	M10	8	31
NMRV090	35	80	84.5	140	234	309	M12	10	38
NMRV110	42	80	84.5	155	249	324	M16	12	45
NMRV130	45	80	85	170	265	340	M16	14	48.5

SZ

DZ

b1

TORQUE ARMS					
	K1	G	KG	KH	R
NMRV030	85	14	24	8	15
NMRV040	100	14	31.5	10	18
NMRV050	100	14	38.5	10	18
NMRV063	150	14	49	10	18
NMRV075	200	25	47.5	20	30
NMRV090	200	25	57.5	20	30
NMRV110	250	30	62	25	35
NMRV130	250	30	69	25	35

ANTI VIBRATION BUSHES NOT FITTED TO 030 SIZE ARM

NMRV BOX TO BOX ADAPTOR JOINT KITS				OFF SET PC TYPE INLINE REDUCERS			
BOX TO BOX NMRV ADAPTORS	JOINS TYPE NMRV REF	TO TYPE NMRV REF	RATIO	DRIVE RATIO OUTPUT	PC063	PC071	PC080
			CONVERSION				
NM30-40-KIT	NMRV30	NMRV40	1 : 1	3 : 1	0,16	0,25	0,26
NM30-50-KIT	NMRV30	NMRV50	1 : 1				
NM30-63-KIT	NMRV30	NMRV63	1 : 1				
NM40-75-KIT	NMRV40	NMRV75	1 : 1	INPUT FLG	63 B5	71B5	80B5
NM50-110-KIT	NMRV50	NMRV110	1 : 1	OUTPUT FLG	63B14	71B14	80B14
NM63-130-KIT	NMRV63	NMRV130	1 : 1				

Complete your Project:

Please select the items you require and we will be in touch

Cables and Wires:

Indoor
Outdoor
General
Other
Let an ACTOM
Specialist Contact you

Lighting:

Indoor
Outdoor
General
Other
Let an ACTOM
Specialist Contact you

Transformers (Distribution):

Indoor
Outdoor
General
Other
Let an ACTOM
Specialist Contact you

Accessories:

Indoor
Outdoor
General
Other
Let an ACTOM
Specialist Contact you

Specific Information:

Address: 4 Branch Road, Germiston 1401, P.O. Box 678, Germiston 1400

For more Information on this Product Please Send us the Following

Product Information:

Product Name:

Quantity:

Project Name:

Date the Product is required:

Your Contact Information:

Name and Surname:

Company:

Email:

Phone Number:

Province:

Thank You

For having a Look at this Product

Please send this PDF back to us with all your Information

Scan the QR Code to visit our Website:

